

New High Performance Open End Spinning Cylinders

Open-end spun yarn producers can improve manufacturing efficiency and realize important environmental benefits with our new cost-effective open-end reusable cylinders.

Designed with specialized plastic molding processes, the OES cylinders produce a superior yarn tail reserve for better quality winds and increased production efficiency. Precise concentricity eliminates winding vibrations.

Ideal for the most advanced open-end equipment, these OES cylinders are manufactured to exact original equipment manufacturer (OEM) and user requirements. Because they are not over-engineered, the versatile carriers also provide a more economical package. A customized barrel surface allows for processing of a variety of yarn counts.



Additionally, an impact improvement translates to longer cylinder life and greater reusability. Used cylinders can also be returned to Sonoco Crellin for recycling.

Straight and roll nose cylinders are available in standard lengths and inside diameters (I.D.) and with single or bi-color yarn identification options.

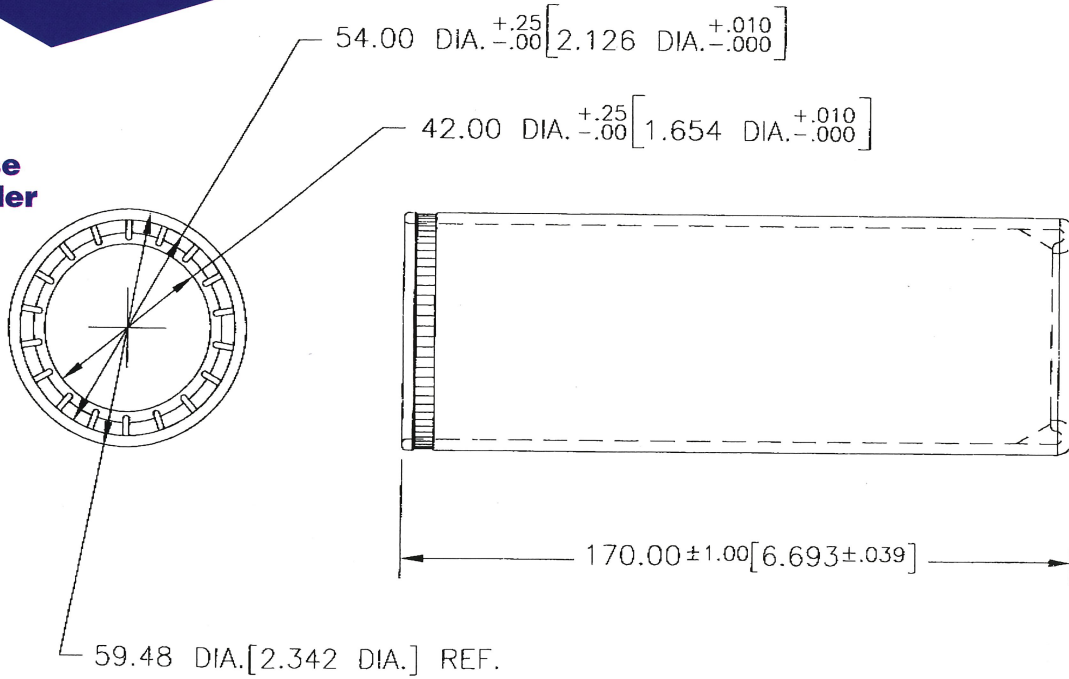
For more information contact:

Sonoco Crellin
6998 Pelham Road
Greenville, SC 29615
Tel: (864) 288-4554
Fax: (864) 234-0330

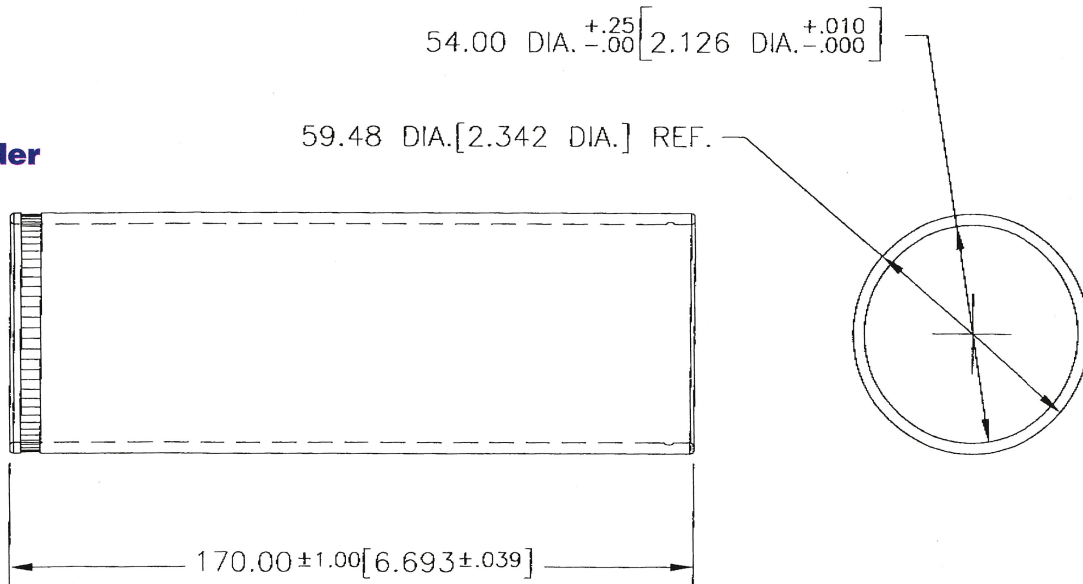
or

**Corporate Headquarters
Sonoco Crellin**
87 Center Street
Chatham, NY 12037
Tel: (518) 392-1700
Fax: (518) 392-6213
E-Mail: textiles@sonoco.com
Website: www.sonoco.com

**Rolled Nose
OES Cylinder**



**Straight
OES Cylinder**



For more information contact:

Sonoco Crellin, 6998 Pelham Road, Greenville, SC 29615 • Tel: (864) 288-4554 • Fax: (864) 234-0330

Corporate Headquarters, Sonoco Crellin, 87 Center Street, Chatham, NY 12037

Tel: (518) 392-1700 • Fax: (518) 392-6213 • E-Mail: textiles@sonoco.com • Website: www.sonoco.com